

POWER 38999

High Power
Platforms



High Power 38999 Planforms

Amphenol is the world leader in the design, manufacture and supply of high-performance interconnect systems for military, commercial and industrial applications. Amphenol offers a complete portfolio of power solutions for demanding and harsh environments.

Amphenol has extended its series of 38999 circular connectors to include a new range of power inserts to respond to market demands for increased power in a proven high reliability 38999 circular connector format. The demand for more power is consistent across all of Amphenol's core markets – military, commercial air and industrial – and typical applications are intelligent power distribution units, power conversion and transformers, slip rings, turret systems, motors, integrated starter generators, actuation systems and hybrid vehicles.

Amphenol's extended series of 38999 Power inserts offers customers a range of contact sizes from size #20 (7.5A) to size #4 (100A). Terminations are available to suit different applications such as busbar, tapped hole, crimp, solder bucket and pintails. Inserts are available in standard connector styles such as; jam-nut, box mount, plug, and bulkhead feed-through.

Shells can be manufactured in Aluminium, Aluminium-Bronze, Stainless Steel, Composite and Titanium. Additionally hermetic sealing is available if customers require a glass-metal seal. Amphenol can incorporate EMI and EMP filters to protect against EMI interference and transient energy surges, such as lightning strike.

The 38999 Power inserts are available in either proprietary or QPL qualified plating finishes including Cadmium, Nickel, Zinc Cobalt and the latest qualified QPL Black Zinc Nickel RoHS compliant plating.

Amphenol's new range of 38999 Power inserts coupled with its new High Power Single Pole 38999 Rhino connector, which carries up to 1000A, means Amphenol can offer a complete solution for all customers' power challenges.

Key Features

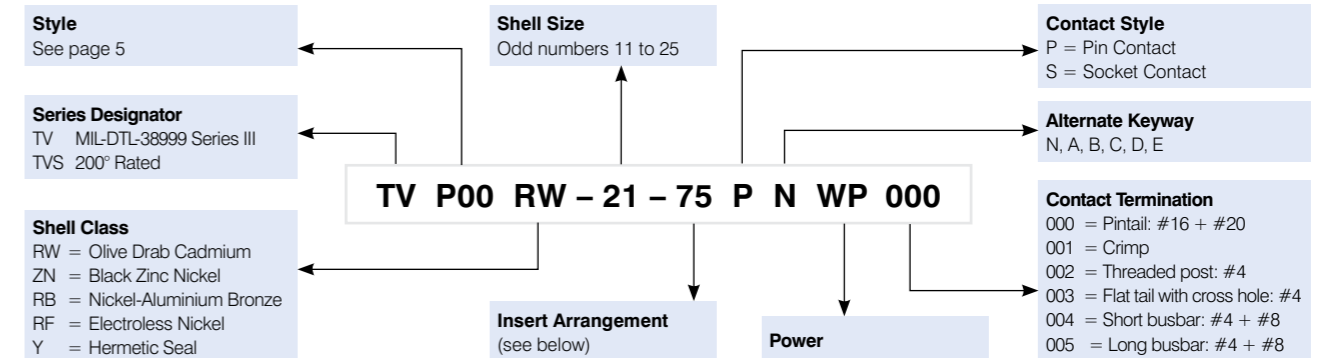
- **Electrical Performance** – 7.5A to 100A, operating voltage up to 600v
- **Range** – single and multi-pole mixed insert arrangements
- **Termination** – busbar, tapped hole, crimp, pintail and solder bucket
- **Shell Materials** – Aluminium, Aluminium-Bronze, Stainless Steel, Titanium and Composite
- **Rugged** – 38999 qualified performance
- **RoHS** – Black Zinc Nickel Plating
- **Added-value services** – harness and cable assembly capability

Typical Power Applications

- Intelligent power distribution units
- Power conversion and transformers
- Slip rings
- Turret systems
- Motors
- Engine marriage panels
- Bulkhead feedthroughs
- Integrated starter generators
- Actuation systems
- Hybrid vehicles



High Power 38999 Part Numbering



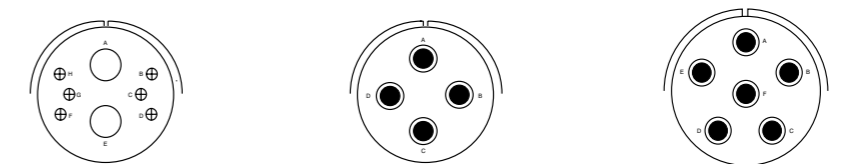
For mixed planform contact termination consult factory.

Insert Arrangements

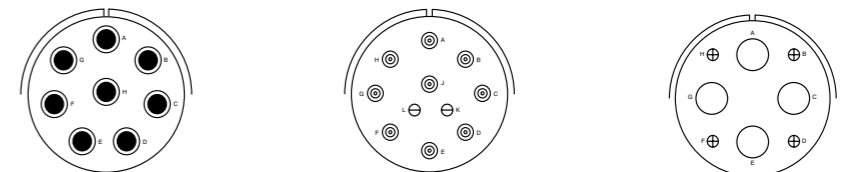
Front face of pin inserts illustrated



	11-01	17-52	21-75	21-42
Service rating	M	M	I	I
No. of contacts	1	2	4	2
Contact size	8	8	8	4



	21-72		21-48	23-06
Service rating	I		M	M
No. of contacts	2	6	4	6
Contact size	4	16	8	8



	25-08		25-11		25-1A	
Service rating	M		N		M	
No. of contacts	8		9	2	4	4
Contact size	8		10	20	4	16

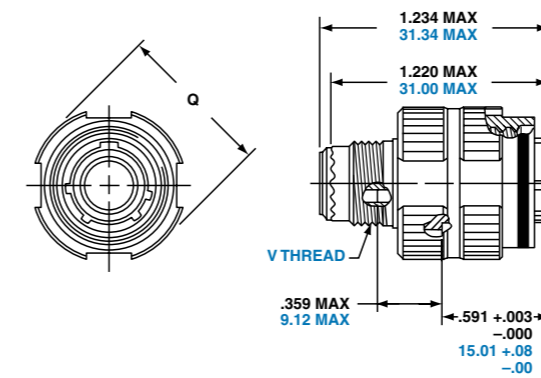
Contact legend	4	8	10	16	20

High Power 38999 Performance Information

Test/parameter	Description		
Electrical			
Current Rating	size #20 contacts: 7.5A d.c.		
	size #16 contacts: 13A d.c.		
	size #10 contacts: 33A d.c.		
	size # 8 contacts: 60A d.c.		
	size # 4 contacts: 100A d.c.		
Shell to Shell Continuity	10mΩ maximum for finishes ZN, RW, RF, SS & RB		
Contact Resistance	size #20 contacts: 4.70mΩ		
	size #16 contacts: 2.00mΩ		
	size #10 contacts: 0.85mΩ		
	size # 8 contacts: 0.60mΩ		
	size # 4 contacts: 0.26mΩ		
Insulation Resistance	5000MΩ at ambient, 1000MΩ at max temp.		
Working Voltage	M: 400V Service AC (RMS)		
	N: 300V Service AC (RMS)		
	I: 600V Service AC (RMS)		
Dielectric Withstanding Voltage	M: 1300 VRS Test Voltage (sea level)		
	N: 1000 VRS Test Voltage (sea level)		
	I: 1800 VRS Test Voltage (sea level)		
Technical			
Mating Durability	500 cycles		
Torque Settings (lb.f.in.)	Shell Size	Backshell	Panel Nut
	#11	71/81	40/46
	#17	111/121	80/85
	#21	131/141	100/110
	#23	131/141	110/120
#25	131/141	120/130	
Environmental			
Operating Temperature Range	-65°C to +175°C for finishes ZN, RW, RB		
	-65°C to +200°C for finishes RF, SS		
Sealing	As per Mil-DTL-38999		
Salt Spray	Up to 500hrs dependant on plating finish		
RoHS Compliant	Yes, dependant on plating finish		

Styles

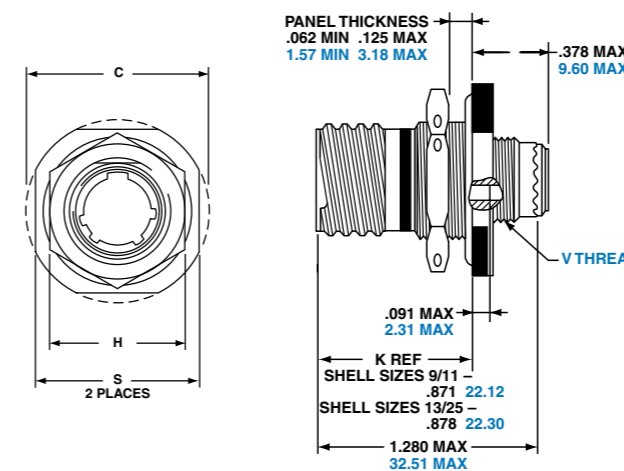
TV06 (D38999/26) – Straight Plug



Shell Size	MS Shell Size Code	Q Max.	V Thread Metric
11	B	25.0	M15X1-6g
17	E	35.7	M25X1-6g
21	G	41.7	M31X1-6g
23	H	44.9	M34X1-6g
25	J	48.0	M37X1-6g

All dimensions in mm, for reference only.

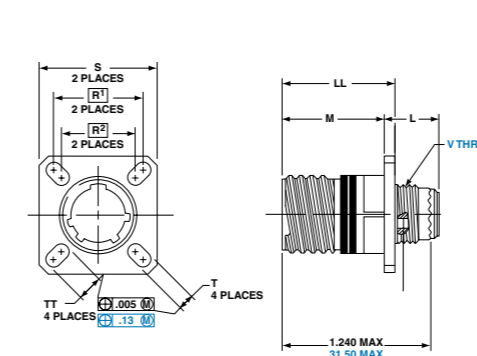
TV07 (D38999/24) – Jam Nut Receptacle



Shell Size	MS Shell Size Code	C Max.	H Hex +.43 -.41	S ±.25	V Thread Metric
11	B	35.20	25.40	31.75	M15X1-6g
17	E	44.73	36.53	41.28	M25X1-6g
21	G	52.65	42.80	49.23	M31X1-6g
23	H	55.85	46.02	52.37	M34X1-6g
25	J	59.00	50.80	55.58	M37X1-6g

Note: Deep reach receptacles are available for panel thicknesses up to .750 max. All dimensions in mm, for reference only.

TVP00 (D38999/20) – Wall Mounting Receptacle



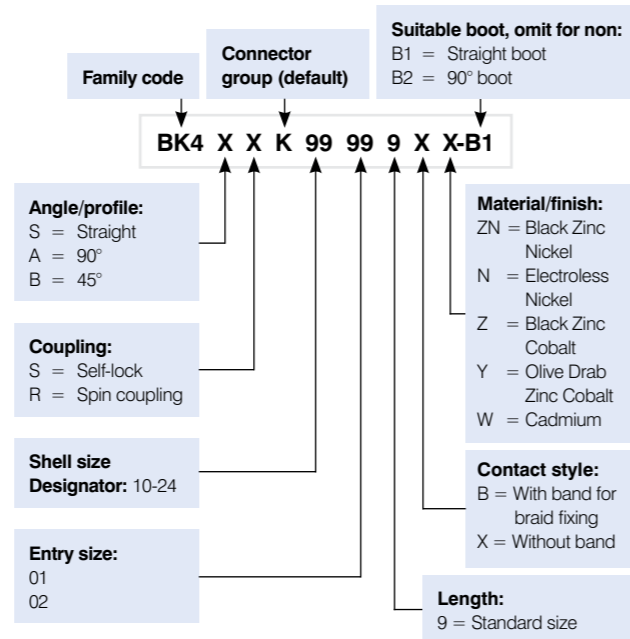
Shell Size	MS Shell Size Code	L Max.	M +.00 -.13	R ¹	R ²	S Max.	T ±.20	V Thread Metric	LL +.15 -.00	TT ±.20
11	B	11.91	20.83	20.62	18.26	26.5	3.25	M15X1-6g	22.99	4.93
17	E	11.91	20.83	26.97	24.61	33.7	3.25	M25X1-6g	22.99	4.93
21	G	12.70	20.07	31.75	29.36	40.1	3.25	M31X1-6g	22.99	4.93
23	H	12.70	20.07	34.93	31.75	43.3	3.91	M34X1-6g	22.99	6.15
25	J	12.70	20.07	38.10	34.93	46.4	3.91	M37X1-6g	22.99	6.15

□ Designates true position dimensioning

All dimensions in mm, for reference only.

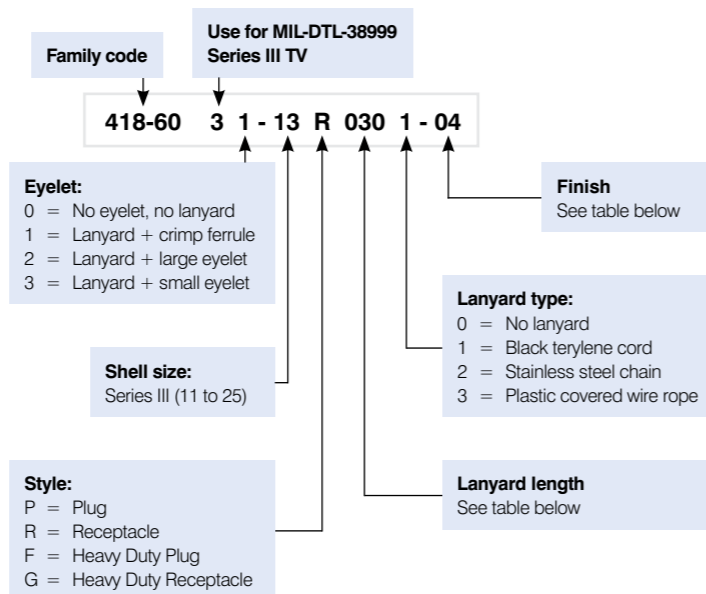
Accessories and Tooling

Backshells



Please consult factory for advice on backshell specification to suit cable requirements.

Cap



Lanyard length (all +/- 0.25 inches)		Finish	
035	3.5 inches (90mm)	-02	Electroless Nickel plate
040	4 inches (100mm)	-03	Olive Drab Cadmium
050	5 inches (125mm)	-04	Olive Drab Zinc Cobalt
060	6 inches (150mm)	-08	Stainless Steel
090	9 inches (230mm)	-09	Nickel Aluminium Bronze
120	12 inches (300mm)	-10	Black Zinc Nickel

Crimping Tools

Contact Size/Type	Crimping Tool	Turret Die or Positioner
#4 Pin and Socket	809947	809948
#8 Pin and Socket	809872	809873
#10 Pin and Socket	TP-201423	Not applicable
#12 Pin and Socket	M22520/1-01	M22520/1-04
#16 Pin and Socket	M22520/1-01 M22520/7-01	M22520/1-04 M22520/7-04
#20 Pin and Socket	M22520/1-01 M22520/2-01 M22520/7-01	M22520/1-04 M22520/2-10 M22520/7-08

Where 2 or 3 tools are listed for a contact size, only one tool and its die or positioner, adjacent within the table, are required to crimp the contact. The above crimping tools and positioners are available from a QPL approved tool manufacturer.

Standard Contacts

Contact Size	Pin	Socket	Seal Plug
#4	900007	418-3031	N/A
#8	900197	900217	MS27488-8-3
#10	M39029/58-528	M39029/56-527	M85049/81-10
#12	M39029/58-365	M39029/56-353	MS27488-12-2
#16	M39029/58-364	M39029/56-352	MS27488-16-2
#20	M39029/58-363	M39029/56-351	MS27488-20-2

Insertion and Removal Tools

Contact Size	Plastic Tools		Metal Tools	
	Insertion Tool	Removal Tool	Insertion Tool	Removal Tool
#4	N/A	M81969/14-07	N/A	809943
#8	N/A	M81969/14-12	N/A	M81969/8-14
#10	M81969/14-05	M81969/14-05	M81969/8-11	M81969/8-12
#12	M81969/14-04	M81969/14-04	M81969/8-09	M81969/8-10
#16	M81969/14-03	M81969/14-03	M81969/8-07	M81969/8-08
#20	M81969/14-10	M81969/14-10	M81969/8-05	M81969/8-06

Worldwide sales contacts

Europe

Amphenol Ltd, UK
Thanet Way, Whitstable
Kent, CT5 3JF
United Kingdom
T: +44 1227 773 200

Amphenol Socapex, France
948, promenade de l'Arve BP29
74311 Thyez Cedex
France
T: +33 4 50 89 28 00

Amphenol Air LB, France
10 rue champ Raymond
08110 Carignan
France
T: +33 3 24 22 32 70

Amphenol AIR LB GmbH, Germany
Am Kleinbahnhof 4
66740 Saarlouis
Germany
T: +49 6831 981 00

Amphenol Nordic
T: +46 702 129 200

**Amphenol Switzerland
and South Centre**
*Switzerland, Slovenia,
Serbia, Montenegro,
Yugoslavia, Greece,
Bulgaria*
948, promenade de l'Arve BP29
74311 Thyez Cedex
France
T: +33 4 50 89 28 00

Amphenol Italy
Via Barbaiana n.5
20020 Lainate, Milano
Italy
T: +39 293 254 214

Amphenol Benelux
Zadelmaker 121 NL
2401 PD Alphen aan den Rijn
The Netherlands
T: +31 172 444 903

Amphenol Iberica
Edificio Burgosol, Oficina nr 55
Comunidad de Madrid, 35 bis Las
Rozas (Madrid)
Spain
T: +34 91 640 73 06

**Amphenol Poland and
Central East Europe**
*Austria, Poland,
Czech Republic,
Slovakia, Romania*
Wiener gasse 68
2380 Perchtoldsdorf
Austria
T: +43 699 10396 071

North America

Amphenol PCD USA
72 Cherry Hill Drive
Beverly, MA. 01915-1065
USA
T: +1 978 624 3400

Amphenol Canada Corporation
605 Milner Avenue
Toronto, Ontario
Canada
M1B 5X6
T: +1 416 291 4401

Asia

Amphenol Daeshin, Korea
558 SongNae-2 Dong, SoSa-Gu,
Bucheon City, Gyeonggi-do
422-040, Korea
T: +82 32 610 3800

**Amphenol Interconnect India
Private Limited**
105 Bhosari Industrial Area
Pune 411 026
India
T: +91 203 068 8304

Amphenol Japan
471-1 Deba, Ritto-City
Shiga 520-3041
Japan
T: +81 77 553 8501

Amphenol PCD CO Ltd, China
Building 21, 1st Liao Keng Industrial
Zone, Shi Yan Street
Bao An District, Shenzhen 518108
China
T: +86 755 8173 8000

Other areas

Amphenol Argentina
Av. Callao 930 2do piso Oficina B
"Plaza" C1023 – AAP, Buenos Aires
Argentina
T: +54 11 4815 6886

Amphenol Australia Pty Limited
2 Fiveways Blvd, Keysborough,
Melbourne, Victoria 3173
Australia
T: +61 3 8796 8888

Amphenol Do Brazil
Rua Diogo Moreira
132, 20 andar, rooms 2001-2-3
CEP: 05423 010 Sao Paulo SP
Brazil
T: +55 11 3815 1003

Bar-Tec Ltd, Israel
3 Hagavish Street, K fir-Barkan Bldg
East Industrial Zone
Kfar-Sava, 44102
Israel
T: +972 9 764 4100

Amphenol Mexico
Prolongacion Reforma 61-6 B2
Col Passo de las Lomas CP.013130
Mexico
T: +52 55 5258 9984

Amphenol Russia
Yaroslavskaja Street 8
129164 Moscow
Russia
T: +7 495 937 6341

Amphenol South Africa
30 Impala Road
2196 Chislehurst
Sandton
South Africa
T: +27 11 783 9517

Amphenol Turkey
Sun Plaza 15 Kat:
15 Maslak Hah. Bilim
Sok. No.5
Sisli/Istanbul, 34398
Turkey
T: +90 212 367 92 19

Amphenol®

For more information call +44 (0)1227 773200

Amphenol Ltd Thanet Way Whitstable Kent CT5 3JF | Email: info@amphenol.co.uk | www.amphenol.co.uk

Military images ©Ministry of Defence, licensed under the Open Government Licence v2.0. Cover image of Toyota Prius ©Teddy Leung | June 2014