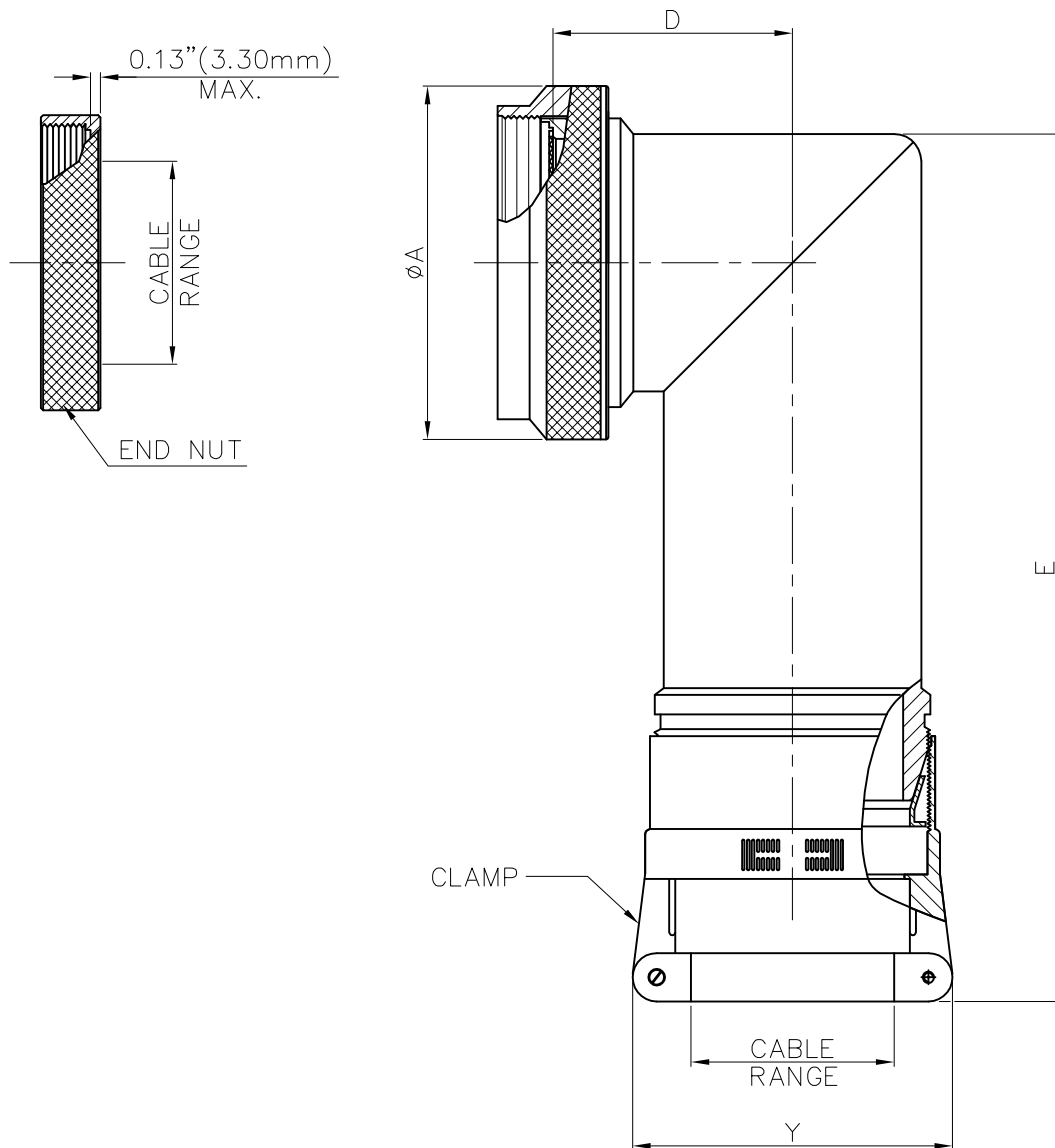


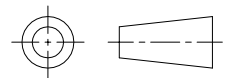
Issue No.	Eng. Ref. No.	REVISIONS	Date	App. By
1	--	ORIGINAL	11/04/06	paramesh
2				

EMI/RFI NON ENVIRONMENTAL BACKSHELL :-



Amphenol
AIIPL

TITLE
**EMI/RFI NON ENVIRONMENTAL
BACKSHELL-90°**
(FOR CONNECTORS MIL-C-38999 SERIES III AND IV)



All Dimensions are in
MM/INCHES

STANDARD

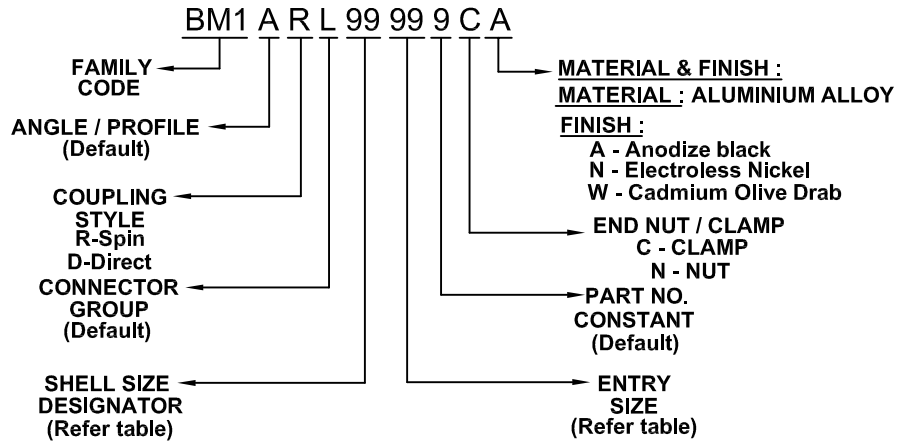
	Name	Date
Drawn by	<i>raghav</i>	09/04/06
Checked by	<i>mahesh</i>	10/04/06
App.by	<i>paramesh</i>	11/04/06

Dwg. Size
A4

Dwg.No.	PSTDBS140
Doc. No.:	QF-DEV-76
REV. NO. :	02
Sheet	1 OF 4

Issue No.	Eng. Ref. No.	REVISIONS	Date	App. By
1	--	ORIGINAL	11/04/06	paramesh
2				

PART NUMBERING SYSTEM :-



DIMENSIONS :-

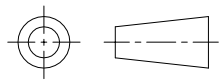
SHELL SIZE DESIGNATOR	ENTRY SIZE	CONNECTOR SHELL SIZE/CODE (REF.)	CABLE RANGE				øA MAX.		D MAX.		E MAX.		Y MAX.	
			MIN.		MAX.		INCH	MM	INCH	MM	INCH	MM	INCH	MM
			INCH	MM	INCH	MM								
08	01	09/A	0.06	1.57	0.13	3.18	0.75	19.05	0.69	17.53	3.46	87.88	0.80	20.32
	02		0.13	3.18	0.25	6.35							1.00	25.40
10	01	11/B	0.06	1.57	0.13	3.18	0.85	21.59	0.78	19.81	3.58	90.93	0.80	20.32
	02		0.13	3.18	0.25	6.35							1.00	25.40
	03		0.25	6.35	0.38	9.53							1.10	27.94
12	01	13/C	0.13	3.18	0.25	6.35	1.00	25.40	0.80	20.32	3.60	91.44	1.00	25.40
	02		0.25	6.35	0.38	9.53							1.10	27.94
	03		0.31	7.92	0.50	12.70							1.20	30.48
14	01	15/D	0.13	3.18	0.25	6.35	1.15	29.21	0.88	22.35	3.67	93.22	1.00	25.40
	02		0.25	6.35	0.38	9.53							1.10	27.94
	03		0.31	7.92	0.50	12.70							1.20	30.48
	04		0.44	11.10	0.63	15.88							1.25	31.75

Amphenol			TITLE EMI/RFI NON ENVIRONMENTAL BACKSHELL-90°				
AIPL			(FOR CONNECTORS MIL-C-38999 SERIES III AND IV)			All Dimensions are in MM/INCHES	
Name		Date	Dwg. Size A4	Dwg.No. PSTDBS140		STANDARD	
Drawn by	<i>raghav</i>	09/04/06		Doc. No.: QF-DEV-76 REV. NO. : 02			
Checked by	<i>mahesh</i>	10/04/06					
App. by	<i>paramesh</i>	11/04/06					

Issue No.	Eng. Ref. No.	REVISIONS	Date	App. By
1	--	ORIGINAL	11/04/06	paramesh
2				

DIMENSIONS :-

SHELL SIZE DESIGNATOR	ENTRY SIZE	CONNECTOR SHELL SIZE/CODE (REF.)	CABLE RANGE				ØA MAX.		D MAX.		E MAX.		Y MAX.	
			MIN.		MAX.		INCH	MM	INCH	MM	INCH	MM	INCH	MM
			INCH	MM	INCH	MM								
16	01	17/E	0.13	3.18	0.25	6.35	1.25	31.75	0.93	23.62	3.76	95.50	1.00	25.40
	02		0.25	6.35	0.38	9.53							1.10	27.94
	03		0.31	7.92	0.50	12.70							1.25	31.75
	04		0.44	11.10	0.63	15.88							1.25	31.75
	05		0.56	14.27	0.75	19.05							1.40	35.56
18	01	19/F	0.25	6.35	0.38	9.53	1.40	35.56	1.01	25.65	3.93	99.82	1.10	27.94
	02		0.31	7.92	0.50	12.70							1.20	30.48
	03		0.44	11.10	0.63	15.88							1.25	31.75
	04		0.56	14.27	0.75	19.05							1.40	35.56
	05		0.69	17.45	0.88	22.23							1.50	38.10
20	01	21/G	0.25	6.35	0.38	9.53	1.55	39.37	1.06	26.92	3.93	99.82	1.10	27.94
	02		0.31	7.92	0.50	12.70							1.20	30.48
	03		0.44	11.10	0.63	15.88							1.25	31.75
	04		0.56	14.27	0.75	19.05							1.40	35.56
	05		0.69	17.45	0.88	22.23							1.50	38.10
	06		0.81	20.62	1.00	25.40							1.65	41.91

Amphenol AIPL			TITLE EMI/RFI NON ENVIRONMENTAL BACKSHELL-90° (FOR CONNECTORS MIL-C-38999 SERIES III AND IV)				
Name		Date	Dwg. Size	Dwg.No.		PSTDBS140	
Drawn by							
Checked by				Doc. No.:		Sheet	
App.by				REV. NO. :			
raghar		09/04/06	A4	QF-DEV-76		3 OF 4	
mahesh		10/04/06		: 02			
paramesh		11/04/06					
STANDARD							

Issue No.	Eng. Ref. No.	REVISIONS	Date	App. By
1	--	ORIGINAL	11/04/06	paramesh
2				

DIMENSIONS :-

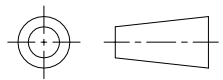
SHELL SIZE DESIGNATOR	ENTRY SIZE	CONNECTOR SHELL SIZE/CODE (REF.)	CABLE RANGE				ØA MAX.		D MAX.		E MAX.		Y MAX.	
			MIN.		MAX.		INCH	MM	INCH	MM	INCH	MM	INCH	MM
			INCH	MM	INCH	MM								
22	01	23/H	0.25	6.35	0.38	9.53	1.65	41.91	1.17	29.72	4.04	102.62	1.10	27.94
	02		0.31	7.92	0.50	12.70							1.20	30.48
	03		0.44	11.10	0.63	15.88							1.25	31.75
	04		0.56	14.27	0.75	19.05							1.40	35.56
	05		0.69	17.45	0.88	22.23							1.50	38.10
	06		0.81	20.62	1.00	25.40							1.65	41.91
	07		0.94	23.80	1.13	28.58							1.75	44.45
24	01	25/J	0.31	7.92	0.50	12.70	1.85	46.99	1.18	29.97	4.04	102.62	1.20	30.48
	02		0.44	11.10	0.63	15.88							1.25	31.75
	03		0.56	14.27	0.75	19.05							1.40	35.56
	04		0.69	17.45	0.88	22.23							1.50	38.10
	05		0.81	20.62	1.00	25.40							1.65	41.91
	06		0.94	23.80	1.13	28.58							1.75	44.45
	07		1.06	26.97	1.25	31.75							1.90	48.26

MATERIAL :-

- ◇ Aluminium alloy as per ASTM B211 / B85
- ◇ Corrosion resistant steel as per AMS-QQ-S-763

NOTE :-

- ◇ For more cable entry options please refer PSTDBS501

Amphenol AIPL			TITLE EMI/RFI NON ENVIRONMENTAL BACKSHELL-90° (FOR CONNECTORS MIL-C-38999 SERIES III AND IV)				
Name: <i>raghav</i> Date: 09/04/06		Dwg. Size: A4	Dwg.No.: PSTDBS140		STANDARD		
Checked by: <i>mahesh</i> 10/04/06			Doc. No.: QF-DEV-76				
App. by: <i>paramesh</i> 11/04/06			REV. NO. : 02 Sheet 4 OF 4				