

Amphenol

BDC

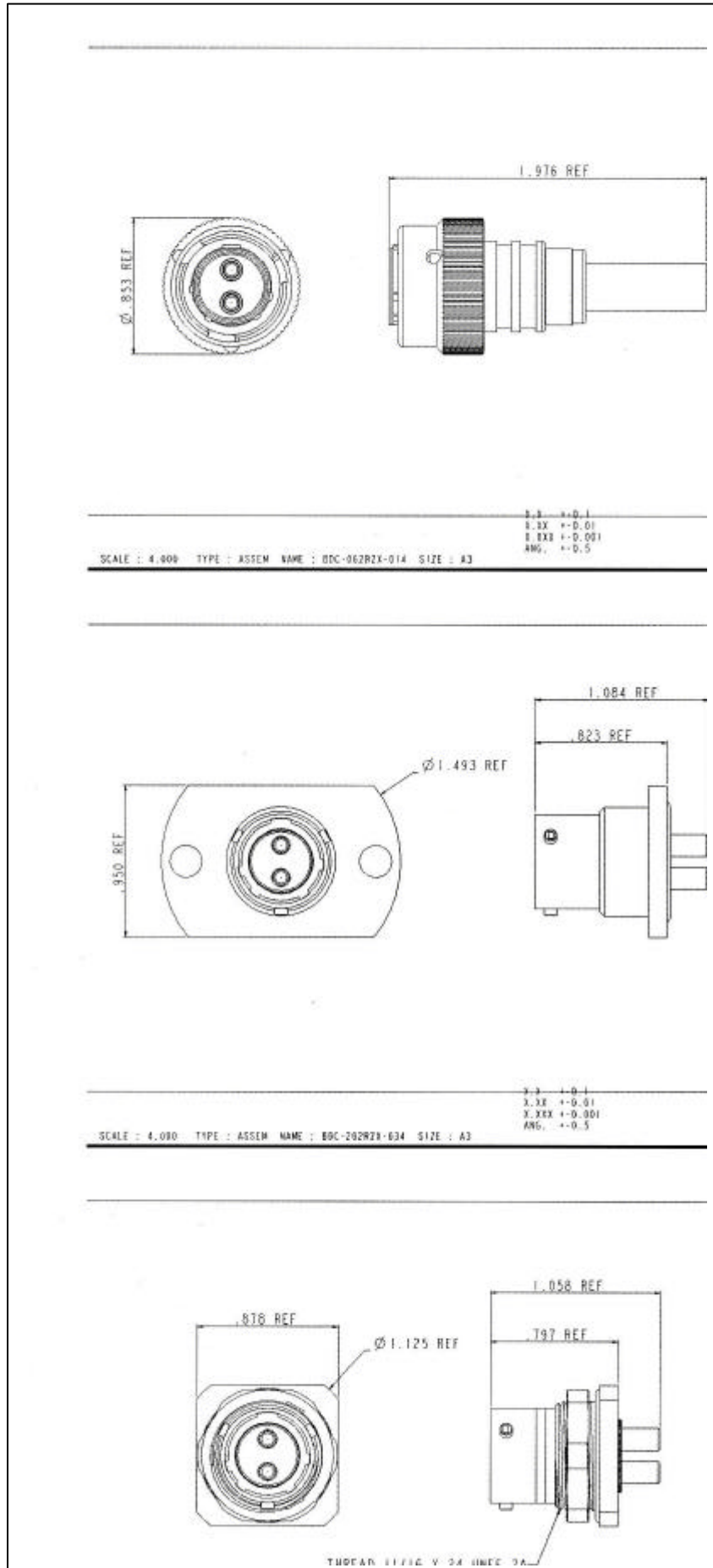
Bayonet Duplex Connector



The Bayonet Duplex Connector series offers the Pattern 105, Size 10, series proven connector construction, with the tri-mating bayonet locking mechanism for ease and quick mate/demate.

The BDC Series is designed for multimode duplex cable using a tight jacket construction. The BDC offers a cost effective, harsh environment product. The shell material is aluminium black zinc cobalt for telecommunications applications and brass nickel plated for the more harsh environments. Both styles utilise standard 2.5mm zirconia PC ceramic ferrules and alignment sleeves.

- Plug, Jam Nut and Square Flange receptacles
- Protective Caps for all connector styles
- Fully keyed and orientated shells
- Low insertion loss
- Small one piece lightweight design
- Butt joint PC ferrule technology
- Factory terminated



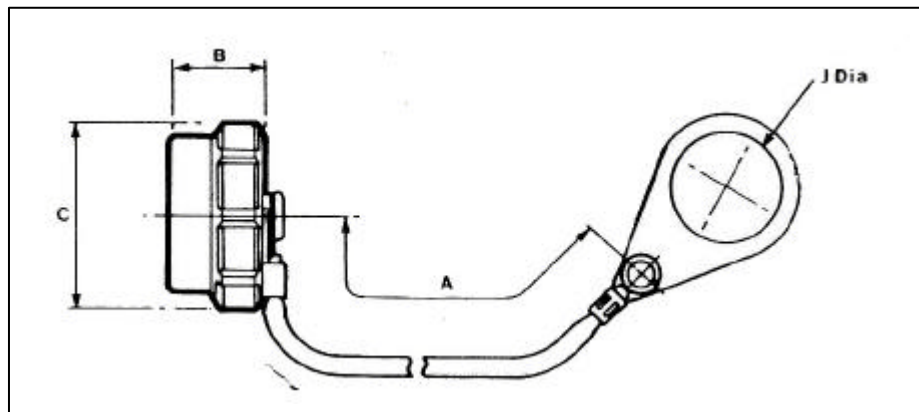
Performance

Optical	
Attenuation	<0.6dB with 62.5/125µm Cable
Durability	>1500 matings
Fibre Types	62.5/125
Cable Types	014 – 62.5/125 5.5mm OD Tactical 011 – 62.5/125 2.75mm OD Tight Jacketed

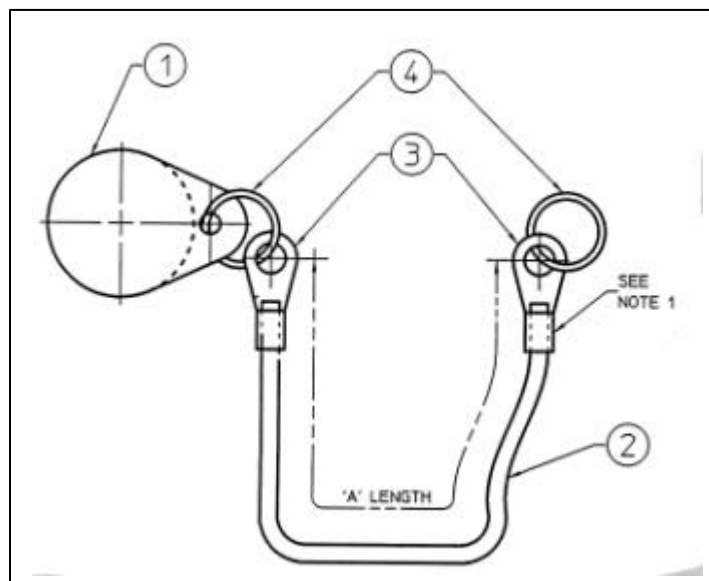
Environmental	
Temperature Range	-55°C to +125°C
Vibration	10 Hz to 5000 Hz

Dust Caps

62GB-1069-10



62GB-5323-002-100



Required Information for Cable Assembly Manufacture

Cable Type	5.5mm OD Tactical / 3.00mm ZIPcord
Fibre Size	62.5/125 50/125
Number of Fibres	No. of Fibres in Cable required
Connector Style	Free Plug / Jam Nut Receptacle /
	2 hole Square Flanged Receptacle / Loop Back
Cable Drum	Is Cable Drum required for Cable Assemblies 50M and over in length

Notice: Products are sold subject to Amphenol's conditions of sale ("the standard conditions"). All specifications and statements contained herein are believed to be correct at the time of printing but no representation or warranty, express or implied, is given as to any specification or statement contained herein. Product specifications including performance characteristics are typical only and subject to deviation. Specifications are also subject to change without notice. Users should not assume that all safety measures are indicated or that other measures may not be required. No representation or warranty, express or implied, is given that any use of products (including any stated or suggested use) does not infringe any patent, registered design or other third party rights and no stated or suggested use of products can be taken to recommend any such infringement.