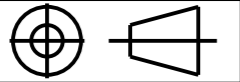


THIS DOCUMENT AND ITS CONTENTS REMAIN THE PROPERTY OF AMPHENOL LTD. THIS DOCUMENT CONTAINS CONFIDENTIAL PROPRIETARY INFORMATION, AND SHALL NOT BE COPIED, DISCLOSED, REPRODUCED OR USED FOR ANY OTHER PURPOSE, UNLESS WRITTEN PERMISSION IS GRANTED BY AMPHENOL LTD. AMPHENOL LTD RETAINS THE RIGHT TO REQUEST THE PROMPT RETURN OF THIS DOCUMENT.

DRAWING No
123GB-0826

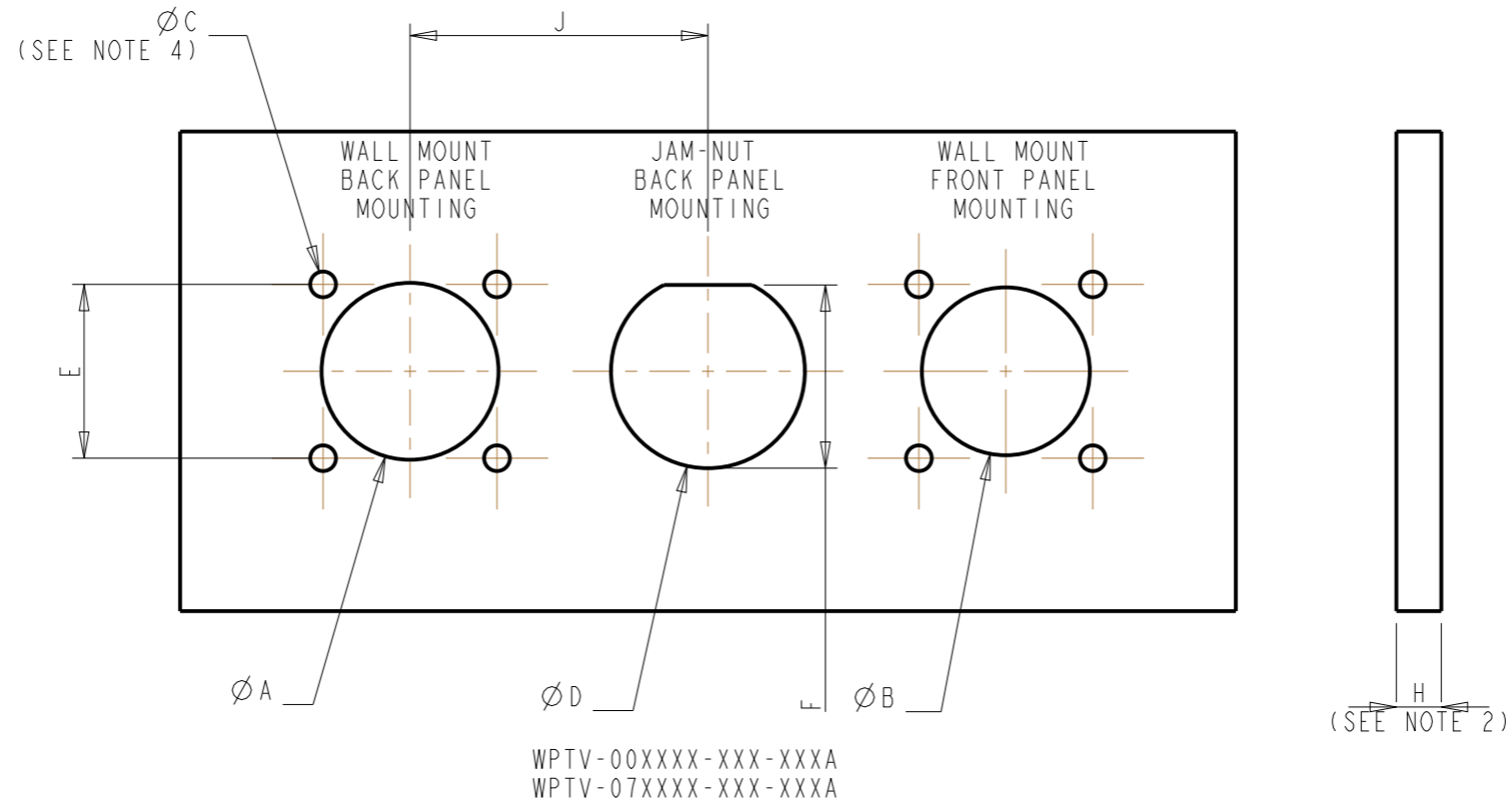
SHT 1
OF 3

PROJECTION



DO NOT SCALE PRINT

RECOMMENDED PANEL CUT OUT DIMENSIONS
'A' ACCESSORY



TOLERANCES	UNUSED REFERENCE IGNORE COLUMN	+0.010 -.0	+0.010 -.0	±.005	±.005	+0.010 -.0	±.005	+0 -.010	MAX WIDTH (SEE NOTE 2)	MIN SPACING (ALL STYLES)
DESCRIPTION		A	B	C_Imp	C_Metric	D	E	F	H	J
SIZE 13 ACCESSORY 'A'	123GB-0826-13A	.922	.875	.128	.134	1.010	.906	.955	.234	1.552
SIZE 15 ACCESSORY 'A'	123GB-0826-15A	1.047	1.020	.128	.134	1.135	.969	1.085	.234	1.674
SIZE 17 ACCESSORY 'A'	123GB-0826-17A	1.219	1.160	.128	.134	1.260	1.062	1.210	.234	1.800
SIZE 21 ACCESSORY 'A'	123GB-0826-21A	1.422	1.350	.128	.134	1.510	1.250	1.460	.204	2.036
SIZE 23 ACCESSORY 'A'	123GB-0826-23A	1.547	1.513	.154	.177	1.635	1.375	1.585	.204	2.162
SIZE 25 ACCESSORY 'A'	123GB-0826-25A	1.672	1.631	.150	.177	1.760	1.500	1.710	.204	2.284

NOTES:

RECOMMENDED PANEL DIMENSIONS AS MIL-DTL-D38999

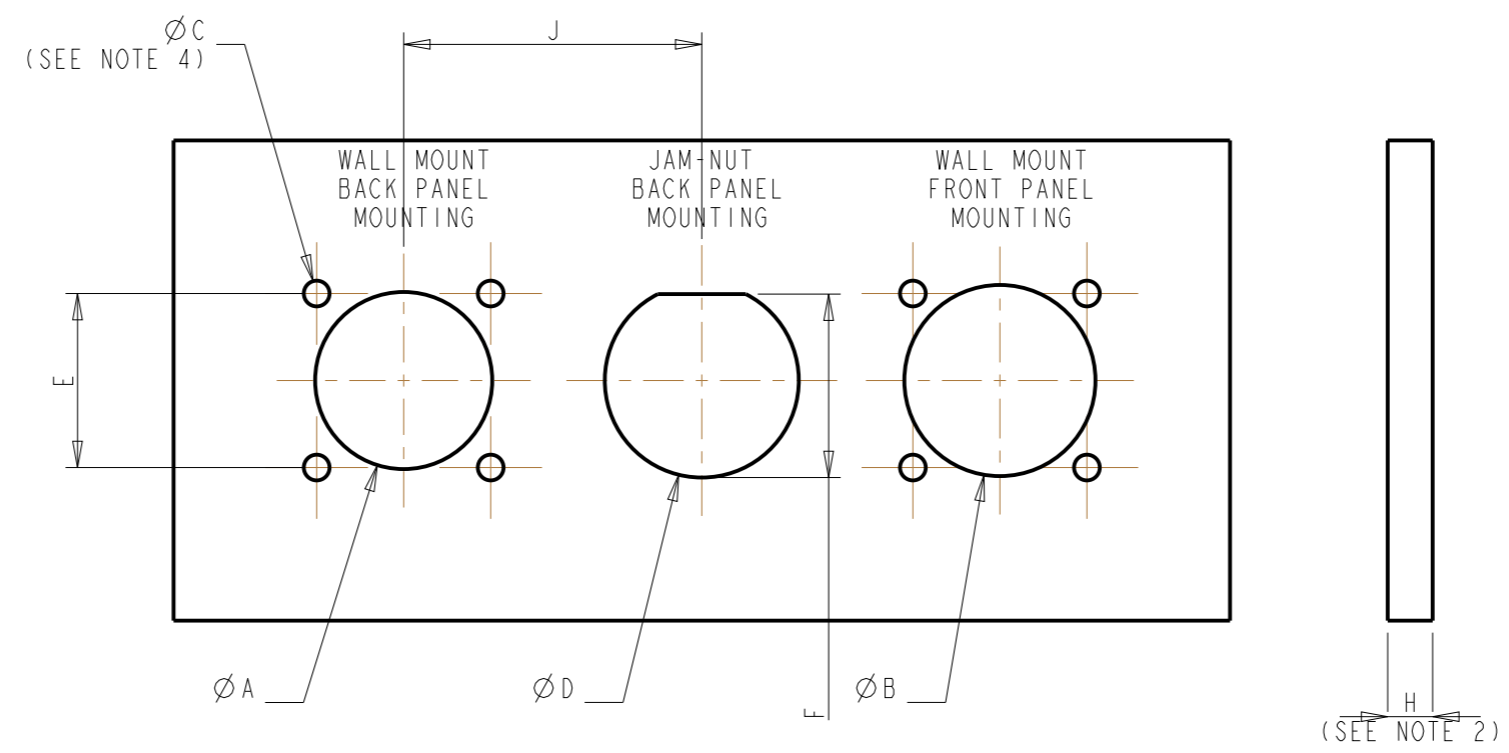
- DIMENSIONS APPLY AFTER FINAL SURFACE PREPARATION.
- PANEL THICKNESS FOR JAM-NUT
MAXIMUM DIMENSION .125"
MINIMUM DIMENSION .062"
- DIMENSIONS APPLY FOR STANDARD CONNECTOR RANGE.
CHECK IF APPLICABLE FOR DEVIATIONS / SPECIALS.
- DIMENSION 'C Imp' AS 38999 SPEC
DIMENSION 'C Metric' TO SUIT M3, M4 FIXINGS.

				USED ON WPTV - RHINO	Amphenol Limited Thanet Way, Whitstable, Kent, CT5 3JF	DIMENSIONS ARE IN INCHES AND APPLY BEFORE PLATING		
				CUSTOMER REF		LIMITS UNLESS OTHERWISE STATED .XXX = ± 0.005 X = ± 0.1 .XX = ± 0.01 ANGLES = ±° 0.500	DRAWN JT	CHECKED
5	5/10/15	ECN22451	JT	DRAWING TYPE PRO/ENGINEER DRAWING	FOR EXPLANATION OF DIMENSIONS TOLERANCES NOTES ETC REFER TO BS. 8888	MATERIAL N/A		A 3
4	27/2/15	ECN22187	JT		TECHNICAL DESCRIPTION RHINO PANEL CUT OUT DIMENSIONS	FINISH N/A		
3	12/9/14	ECN21961	JT			DRAWING No 123GB-0826		SHT 1 OF 3
2	14/3/14	ECN21657	JT					
1	28/5/13	RN 9962	JT					
ISS	DATE	C. NOTE	SIG					

THIS DOCUMENT AND ITS CONTENTS REMAIN THE PROPERTY OF AMPHENOL LTD. THIS DOCUMENT CONTAINS CONFIDENTIAL PROPRIETARY INFORMATION, AND SHALL NOT BE COPIED, DISCLOSED, REPRODUCED OR USED FOR ANY OTHER PURPOSE, UNLESS WRITTEN PERMISSION IS GRANTED BY AMPHENOL LTD. AMPHENOL LTD RETAINS THE RIGHT TO REQUEST THE PROMPT RETURN OF THIS DOCUMENT.

DRAWING No
123GB-0826

RECOMMENDED PANEL CUT OUT DIMENSIONS
'B' ACCESSORY



WPTV-00XXXX-XXX-XXXB
WPTV-07XXXX-XXX-XXXB

TOLERANCES	UNUSED REFERENCE IGNORE COLUMN	+0.010 -.0	+0.010 -.0	±.005	±.005	+0.010 -.0	±.005	+0.0 -.010	MAX WIDTH (SEE NOTE 2)	MIN SPACING (ALL STYLES)
DESCRIPTION		A	B	C_imp	C_Metric	D	E	F	H	J
SIZE 13 ACCESSORY 'B'	123GB-0826-13B	.922	.995	.128	.134	1.010	.906	.955	.234	1.552
SIZE 15 ACCESSORY 'B'	123GB-0826-15B	1.047	1.172	.128	.134	1.135	.969	1.085	.234	1.674
SIZE 17 ACCESSORY 'B'	123GB-0826-17B	1.219	1.290	.128	.134	1.260	1.062	1.210	.234	1.800
SIZE 21 ACCESSORY 'B'	123GB-0826-21B	1.422	1.591	.128	.134	1.510	1.250	1.460	.204	2.036
SIZE 23 ACCESSORY 'B'	123GB-0826-23B	1.547	1.729	.154	.177	1.635	1.375	1.585	.204	2.162
SIZE 25 ACCESSORY 'B'	123GB-0826-25B	1.672	1.865	.150	.177	1.760	1.500	1.710	.204	2.284

- NOTES:
RECOMMENDED PANEL DIMENSIONS AS MIL-DTL-D38999
- 1) DIMENSIONS APPLY AFTER FINAL SURFACE PREPARATION.
 - 2) PANEL THICKNESS FOR JAM-NUT
MAXIMUM DIMENSION .125"
MINIMUM DIMENSION .062"
 - 3) DIMENSIONS APPLY FOR STANDARD CONNECTOR RANGE.
CHECK IF APPLICABLE FOR DEVIATIONS / SPECIALS.
 - 4) DIMENSION 'C Imp' AS 38999 SPEC
DIMENSION 'C Metric' TO SUIT M3, M4 FIXINGS.

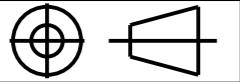
USED ON	WPTV - RHINO	Amphenol Limited Thanet Way, Whitstable, Kent, CT5 3JF	DIMENSIONS ARE IN INCHES AND APPLY BEFORE PLATING	
CUSTOMER REF	LIMITS UNLESS OTHERWISE STATED .XXX = ± 0.001 . X = ± 0.1 .XX = ± 0.01 ANGLES = ±° 0.5		DRAWN JT	CHECKED
DRAWING TYPE	PRO/ENGINEER DRAWING	FOR EXPLANATION OF DIMENSIONS TOLERANCES NOTES ETC REFER TO BS. 8888	MATERIAL N/A	
TECHNICAL DESCRIPTION	RHINO PANEL CUT OUT DIMENSIONS	FINISH N/A		A3
ISS	DATE	C. NOTE	SIG	
				SHT 2 OF 3

THIS DOCUMENT AND ITS CONTENTS REMAIN THE PROPERTY OF AMPHENOL LTD. THIS DOCUMENT CONTAINS CONFIDENTIAL PROPRIETARY INFORMATION, AND SHALL NOT BE COPIED, DISCLOSED, REPRODUCED OR USED FOR ANY OTHER PURPOSE, UNLESS WRITTEN PERMISSION IS GRANTED BY AMPHENOL LTD. AMPHENOL LTD RETAINS THE RIGHT TO REQUEST THE PROMPT RETURN OF THIS DOCUMENT.

DRAWING No
123GB-0826

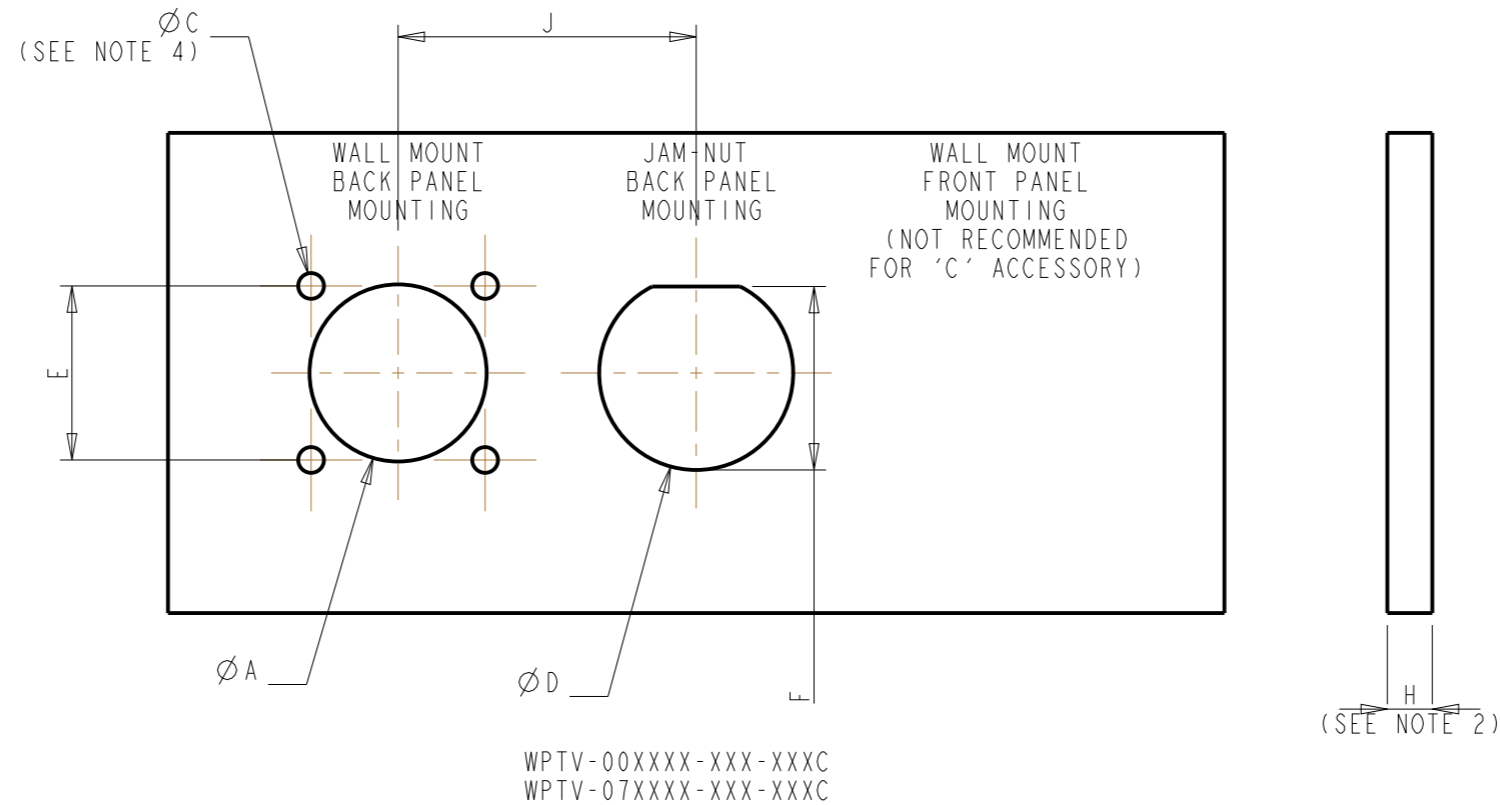
SHT 3
OF 3

PROJECTION



DO NOT SCALE PRINT

RECOMMENDED PANEL CUT OUT DIMENSIONS
'C' ACCESSORY



TOLERANCES	UNUSED REFERENCE IGNORE COLUMN	+ .010 - .0	+ .010 - .0	± .005	± .005	+ .010 - .0	± .005	+ .0 - .010	MAX WIDTH (SEE NOTE 2)	MIN SPACING (ALL STYLES)
DESCRIPTION		A	B	C_Imp	C_Metric	D	E	F	H	J
SIZE 13 ACCESSORY 'C'	123GB-0826-13C	.922	-	.128	.134	1.010	.906	.955	.234	1.552
SIZE 15 ACCESSORY 'C'	123GB-0826-15C	1.047	-	.128	.134	1.135	.969	1.085	.234	1.674
SIZE 17 ACCESSORY 'C'	123GB-0826-17C	1.219	-	.128	.134	1.260	1.062	1.210	.234	1.800
SIZE 21 ACCESSORY 'C'	123GB-0826-21C	1.422	-	.128	.134	1.510	1.250	1.460	.204	2.036
SIZE 23 ACCESSORY 'C'	123GB-0826-23C	1.547	-	.154	.177	1.635	1.375	1.585	.204	2.162
SIZE 25 ACCESSORY 'C'	123GB-0826-25C	1.672	-	.150	.177	1.760	1.500	1.710	.204	2.284

NOTES:

RECOMMENDED PANEL DIMENSIONS AS MIL-DTL-D38999

- 1) DIMENSIONS APPLY AFTER FINAL SURFACE PREPARATION.
- 2) PANEL THICKNESS FOR JAM-NUT
MAXIMUM DIMENSION .125"
MINIMUM DIMENSION .062"
- 3) DIMENSIONS APPLY FOR STANDARD CONNECTOR RANGE.
CHECK IF APPLICABLE FOR DEVIATIONS / SPECIALS.
- 4) DIMENSION 'C Imp' AS 38999 SPEC
DIMENSION 'C Metric' TO SUIT M3, M4 FIXINGS.

USED ON	WPTV - RHINO	Amphenol Limited Thanet Way, Whitstable, Kent, CT5 3JF	DIMENSIONS ARE IN INCHES AND APPLY BEFORE PLATING	
CUSTOMER REF	LIMITS UNLESS OTHERWISE STATED .XXX = ± 0.001 . X = ± 0.1 .XX = ± 0.01 ANGLES = ± ° 0.5		DRAWN JT	CHECKED
DRAWING TYPE	PRO/ENGINEER DRAWING	FOR EXPLANATION OF DIMENSIONS TOLERANCES NOTES ETC REFER TO BS. 8888	MATERIAL N/A	
TECHNICAL DESCRIPTION	RHINO PANEL CUT OUT DIMENSIONS	FINISH N/A		A 3
ISS	DATE	C. NOTE	SIG	DRAWING No 123GB-0826
				SHT 3 OF 3